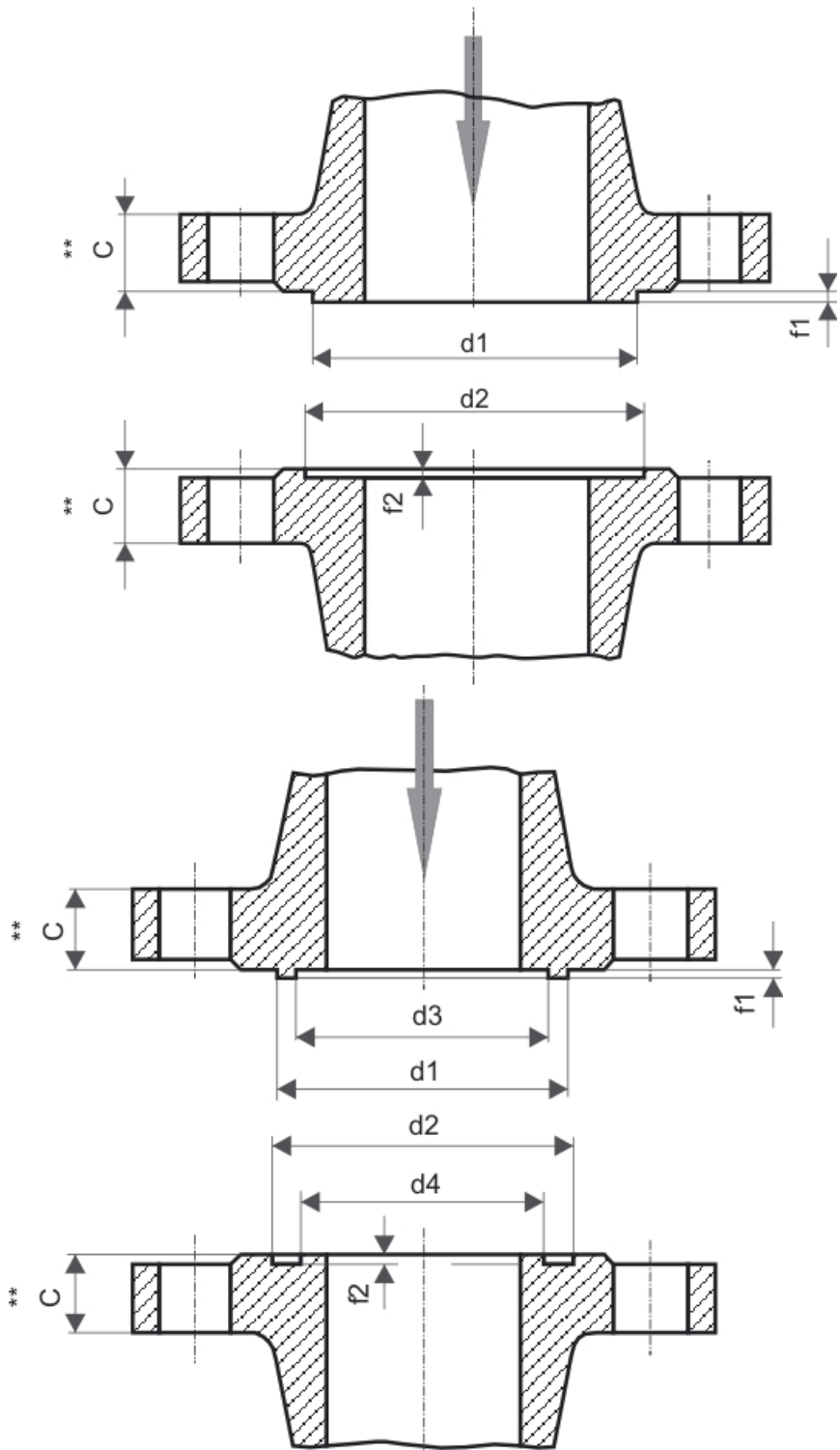


There are no translations available.

**Dimensions of large male-female and small tongue and groove flange facing  
- UNI - DIN - Afnor - ISO standards**



DN	d1	d2	d3
<a href="#">10</a>	34		
	35		
	24		
	23		
	4		
	3 (2,5)		
<a href="#">15</a>		39	
	40		
	29		
	28		
	4		
	3 (2,5)		
<a href="#">20</a>		50	
	51		
	36		
	35		
	4		
	3 (2,5)		
<a href="#">25</a>		57	
	58		
	43		
	42		
	4		
	3 (2,5)		
<a href="#">32</a>		65	
	66		
	51		
	50		
	4		
	3 (2,5)		
<a href="#">40</a>		75	
	76		
	61		
	60		
	4		
	3 (2,5)		

<u>50</u>	87		
	88		
	73		
	72		
	4		
	3 (2,5)		
<u>65</u>	109		
	110		
	95		
	94		
	4		
	3 (2,5)		
<u>80</u>	120		
	121		
	106		
	105		
	4		
	3 (2,5)		
<u>100</u>	149		
	150		
	129		
	128		
	4,5		
	3,5 (3)		
<u>125</u>	175		
	176		
	155		
	154		
	4,5		3,5 (3)
<u>150</u>	203		
	204		
	183		
	182		
	4,5		3,5 (3)
<u>200</u>	259		
	260		
	239		
	238		
	4,5		3,5 (3)
<u>250</u>	312		
	313		
	292		
	291		
	4,5		3,5 (3)

<a href="#">300</a>	363				
	364				
	343				
	342				
	4,5		3,5 (3)		
<a href="#">350</a>	421				
	422				
	395				
	394				
	5				
	4 (3,5)				
<a href="#">400</a>	473				
	474				
	447				
	446				
	5				
	4 (3,5)				
<a href="#">450</a>	523				
	524				
	497				
	496				
	5				
	4 (3,5)				
<a href="#">500</a>	575	576	549	548	
<a href="#">600</a>	675	676	649	648	

Notes - According to UNI Standard  $f_2=f_1$  with the following tolerances  $f_1$  0-+0,5mm;  $f_2$ :-0,5 - 0 mm. The dimensions of the table are valid for flanges from PN10 and up. According to ISO standard the dimensions of the table are applicable to flanges PN 2,5-6-10-16-25-40 only

\* The values in brackets are those of DIN standard for small tongue and groove facing.

\*\* For dimensions C click on link of relevant size of DN column.